

CLASSIC FITTING INSTRUCTIONS

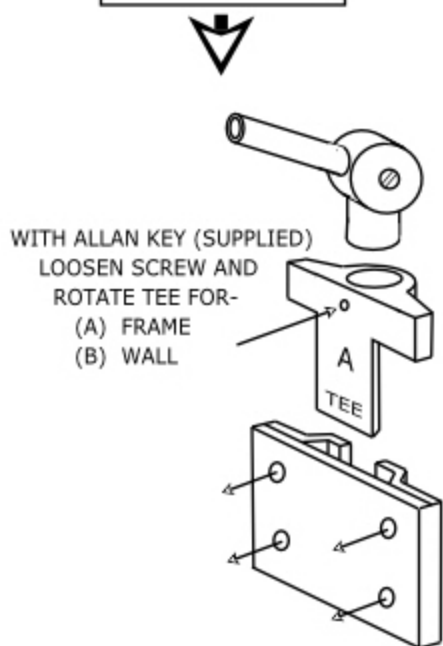
Hogarth
FINE ART ©

Patent No. 0001477.9.

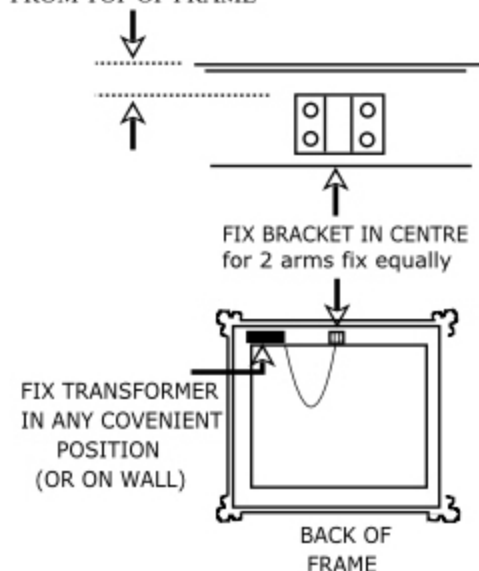
HOGARTH PICTURE LIGHTS PERFORM BEST WHEN ATTACHED TO THE FRAME

WARNING- DO NOT CONNECT LIGHT TO MAINS WITHOUT THE TRANSFORMER

FIX TO FRAME



IF POSSIBLE FIT 20 MM FROM TOP OF FRAME



LED

NEVER LOOK DIRECTLY AT THE LED BULB AS THIS CAN DAMAGE YOUR EYE SIGHT

Input Voltage 110v - 240v universal

Follow the appropriate national wiring regulations. Lights should be installed by a qualified electrician. The light should be connected to the lighting circuit, or fused at a maximum of 3AMPS.

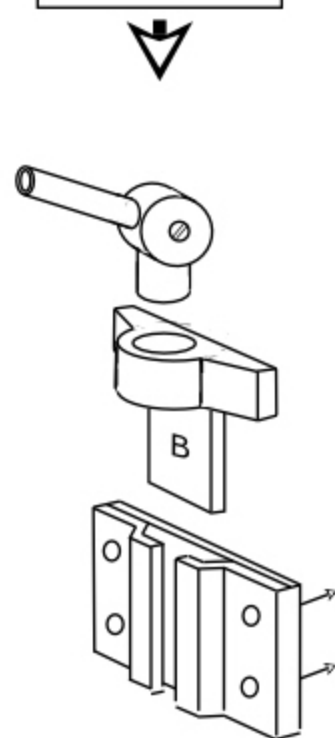
DO NOT FIT TO A DIMMER

Disconnect from the mains supply before installation, changing the bulb, maintenance.

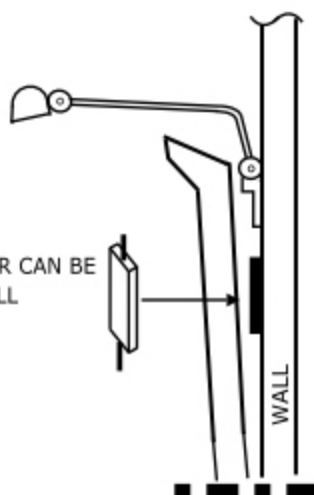
Cleaning. Disconnect from Mains supply. Allow to cool down.

We accept no responsibility for modified lights, affects of cleaning or the accumulation of dust.

FIX TO WALL



TRANSFORMER CAN BE FIXED TO WALL

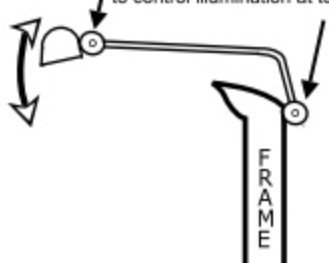


TRANSFORMER

It is imperative that the wires leading to & from the transformer are installed correctly - positive & negative this information is on the transformer

Live/positive wire to light has Black Stripe

Loosen Swivel screws with Key supplied and rotate light and hood to control illumination at top of frame



Under side of Light



Slide the closure plates to adjust the illumination vertically down side of painting

If there are multiples of bulbs do the same on each bulb