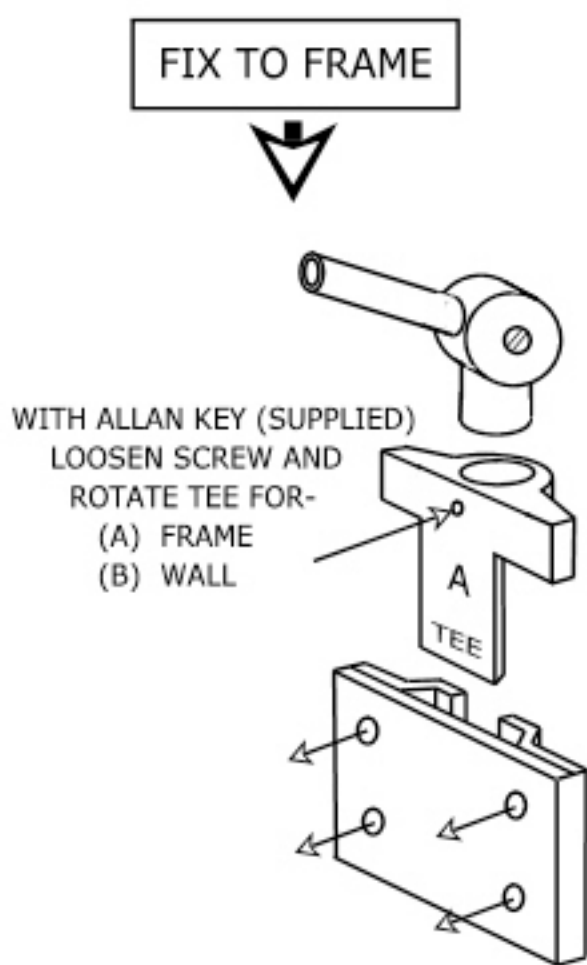


FITTING INSTRUCTIONS

Hogarth
FINE ART ©

Patent No. 0001477.9.

THE HOGARTH PICTURE LIGHT PERFORMS BEST WHEN ATTACHED TO THE FRAME



LED - Battery

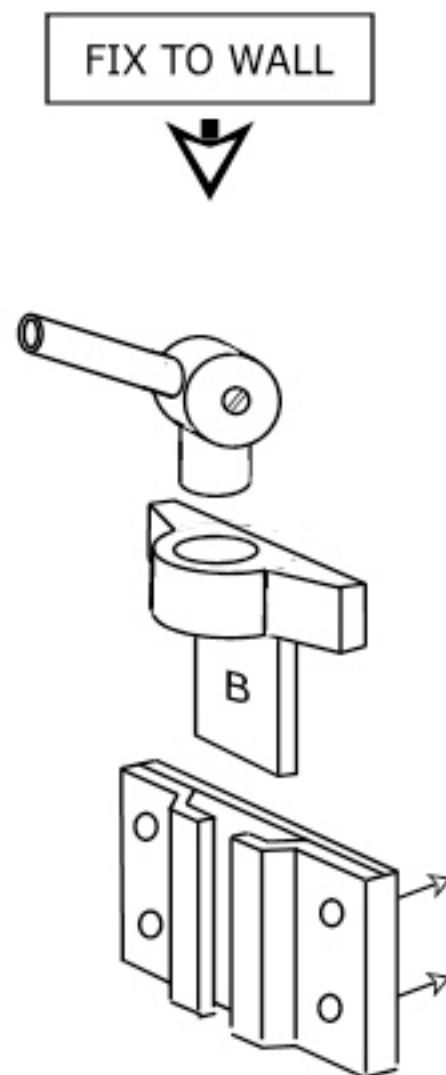
Set CHARGER at 2.0 A

NEVER LOOK DIRECTLY AT THE LED BULB
AS THIS CAN DAMAGE YOUR EYE SIGHT

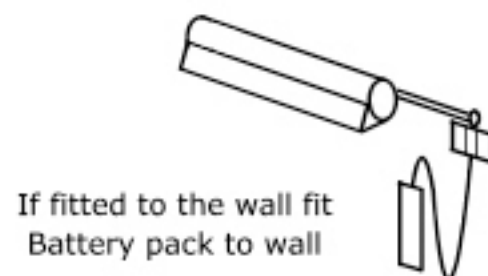
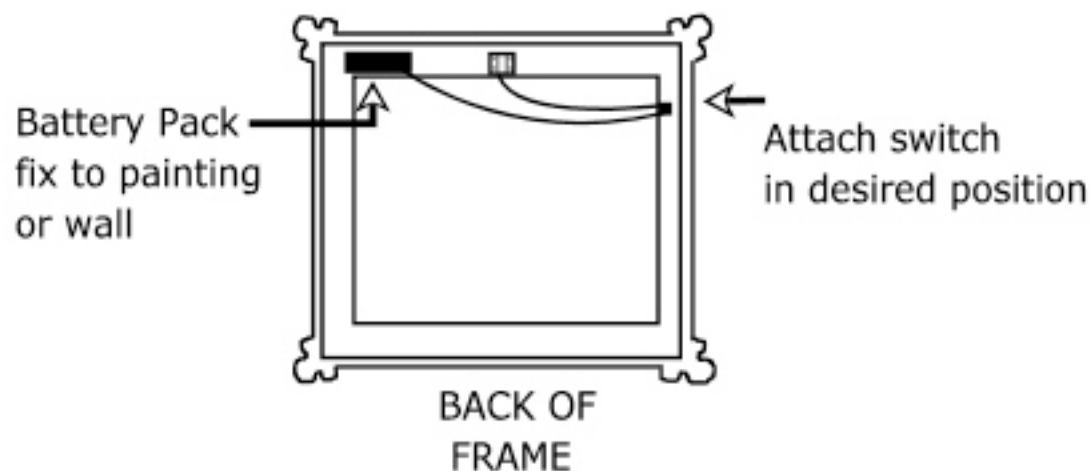
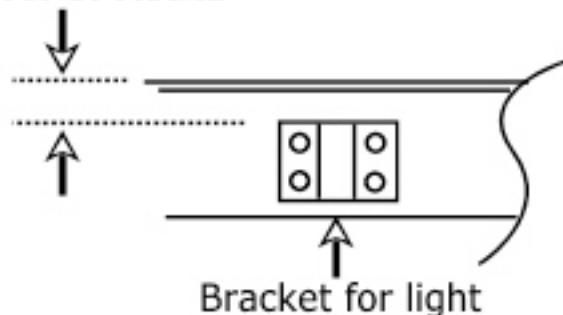
DO NOT CONNECT LIGHT TO MAINS ELECTRICITY
ONLY FOR USE WITH THE BATTERY

Cleaning.
Allow to cool down.
Solid Brass Lights have no protective coating,
this will allow the brass to age to a mellow colour.
After assembly clean off any finger
marks with a dry cloth. Brass polish can be used.
Lacquered lights - wipe with a dry cloth.

We accept no responsibility for modified lights,
affects of cleaning or the accumulation of dust.



IF POSSIBLE FIT 20 MM
FROM TOP OF FRAME



If light is fitted to frame
the battery pack can still
be fitted to the wall